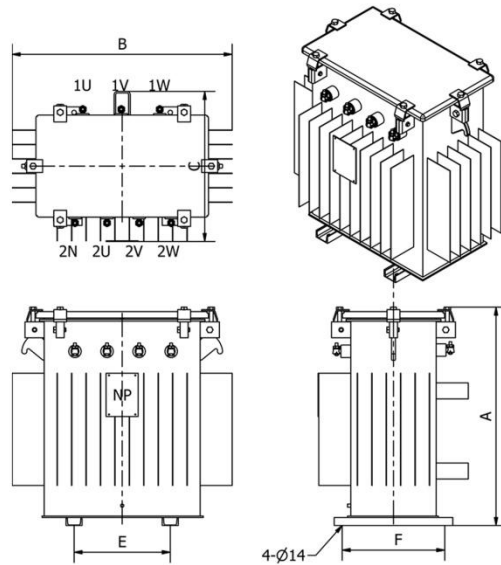


Three-phase LV oil-immersed transformers

size oil weight table

3 ψ -60Hz-600V below

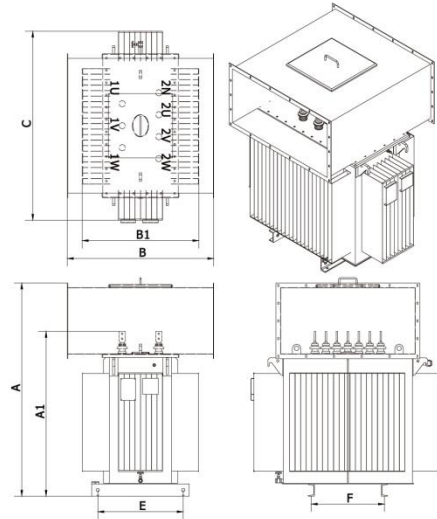


Capacity (kVA)	Dimensions(mm)					Oil(L)	Weight (kg)
	A	B	C	E	F		
3	520	460	380	200	300	15	60
5	530	470	390	200	300	20	70
10	600	480	400	200	300	35	90
15	670	530	410	250	300	40	100
20	700	550	420	250	300	50	140
25	750	590	440	300	350	55	150
30	770	600	460	300	350	65	170
50	810	610	500	350	400	80	280
75	870	830	540	400	400	100	400
100	950	840	560	400	400	130	510

※ Performance and margin according to CNS 598

Three-phase LV oil-immersed transformers

size oil weight table



Capacity (kVA)	Duct Type				No Duct Type				Oil(L)	Basic Pitch (mm)	
	Dimensions(mm)			Weight (kg)	Dimensions(mm)			Weight (kg)		E	F
	A	B	C		A1	B1	C				
150	1320	1150	1200	1040	1150	950	1200	1000	280	750	650
200	1340	1180	1300	1170	1170	980	1300	1130	310	750	650
300	1370	1250	1350	1450	1200	1050	1350	1400	350	750	650
400	1420	1320	1400	1700	1250	1120	1400	1650	400	900	650
500	1470	1400	1450	1910	1300	1200	1450	1860	440	900	650

Three phase amorphous oil immersed transformer performance list (below 600V)

Capacity (kVA)	No load loss (W)	Load loss W)	Total loss (W)	Efficiency (%)	Voltage regulation (%)	Impedance IZ (%)	Noise (dB)
150	120	3400	3520	97.7	2.4	3~4	52
200	160	4300	4460	97.82	2.3	3~4	52
300	220	6000	6220	97.97	2.1	3~4	56
400	280	7200	7480	98.16	1.9	3~4	57
500	330	8400	8730	98.28	1.8	3~4	58

LEGALIZE • PATENT

 Green Mark



 Testing Laboratory 2531



High-voltage electricity approval registration certificate



ISO 14001
UCS-E-13-006



OHSAS 18001
130MA10014



ISO 9001
UCS-Q-09-703



Patent



Patent

